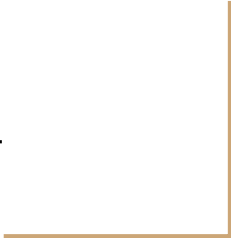




Marie Van Britten Brown

Lavan Yatooma

February 14, 2021





Marie Van Britten Brown was born in Jamaica, Queens New York on October 30, 1922

Marie's father was born in Massachusetts, and her mother was born in Pennsylvania. Marie worked as a nurse, and her husband, Albert Brown, worked as an electronics technician. They worked several hours a week, and their neighborhood had high crime rates. Police were contacted, even then they were too slow. Brown had enough with this, and thought to take matters into her own hands.

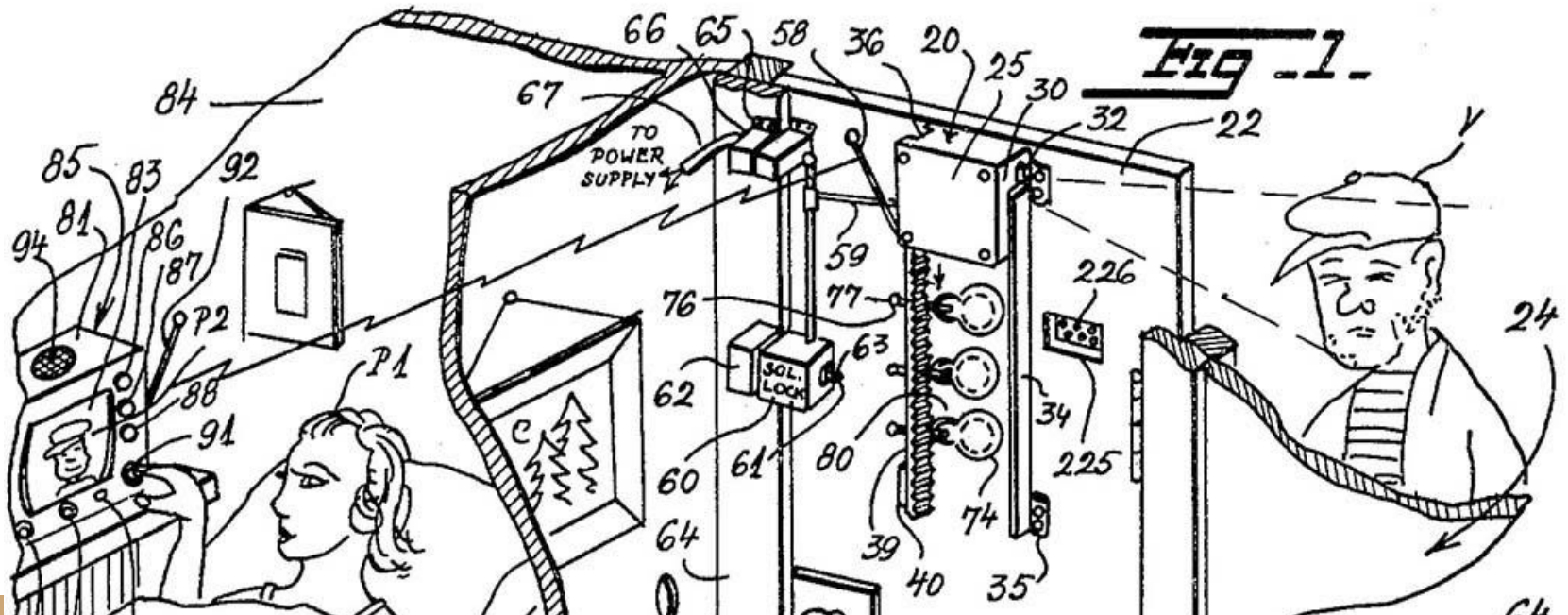


Marie Van Britten Brown created the first home security system

Marie Brown created the first home security system, since she had enough of the crime happening in her neighborhood. She got inspired by the security risk her neighborhood faced everyday. She had to create this as quick as possible. She needed a alarm that would tell her whos in her home. Marie's invention had peepholes, cameras, monitors, and a two-way microphone. At the opposite side of the door a camera was attached that could slide up, and down to allow a person to see through the peephole. The monitor could be placed in any part of a house to allow you to see whos at the door. There was also a voice component to let anyone to speak to the person outside.

Marie Van Britten Brown invention is still used today

Marie Brown invention is the first closed circuit television security system. Her invention was the way for modern home security systems used today.



Bibliography

Marie Van Britten Brown

-blackpast.org

<https://www.blackpast.org/>